

GRUE Universal Conduit Outlet Boxes

Explosionproof, Dust-Ignitionproof

GRUE-100 Series UNILETS™ for 1/2", 3/4" and 1" threaded metal conduit. GRUE-200 Series UNILETS™ for 1-1/4", 1-1/2" and 2" threaded metal conduit.

CEC:

Class I, Division 1 and 2, Groups B, C, D
 Class I, Zone 1 and 2, IIB + H₂ T6
 Class II, Division 1 and 2, Groups E, F, G
 Class III, Enclosure 3

Applications

- Complies with a wide range of classified area requirements.
- Corrosion-resistant: ideal indoors or out.
- For pulling of wires.
- Connect conduit lengths and change direction of conduit runs.
- Provide access for maintenance.

Features

- Accurately tapped, tapered hub threads for tight, rigid joints and ground continuity.
- Furnished with covers.
- General purpose wiring.
- Universal design with five threaded universal hubs and three close-up plugs.
- Copperfree aluminum body and cover provide resistance to corrosive atmospheres.
- GRUE-100 Series functions as sealing fittings when used with sealing covers (see CEC for restrictions).

- Covers have pry notches for bar or wrench.
- Smooth, rounded integral bushing in each hub type box protects conductor insulation.

Standard Materials

- Bodies and covers: malleable iron or copperfree (4/10 of 1% max.) aluminum

Standard Finishes

- Bodies and covers: triple-coat — (1) zinc electroplate, (2) chromate, and (3) epoxy powder coat

Options



- GRUE-100 Series
 — To order GRUE-100 Series universal junction box complete with sealing cover add suffix **-SC**.

CEC Certifications and Compliances

- CSA Standard: C22.2 No. 25, C22.2 No. 30
- CSA Certified: 013017

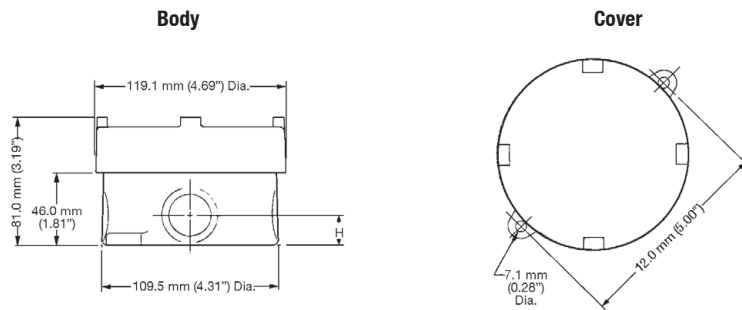
Appleton

ENCLOSURES AND JUNCTION BOXES: NEC/CEC EXPLOSIONPROOF OUTLET BOXES

	Conduit Size (Inches)	Hub Configuration	Catalog Number	
			Malleable Iron	Aluminum
GRUE-100 Series Universal Junction Box				
<i>Furnished with internally threaded surface cover, five threaded hubs and three close-up plugs. To order GRUE-100 Series junction box complete with sealing cover add suffix -SC.</i>				
	1/2	XB	GRUE50	GRUE50-ACN
	3/4		GRUE75	GRUE75-ACN
	1		GRUE100	GRUE100-ACN
GRUE-100 Series Sealing Cover				
<i>Sealing cover for GRUE-100 Series junction boxes listed above.</i>				
			GRUC-SC-F	GRUC-SC

Dimensions in Millimeters (Inches)

Hub Size Inches	Dimensions in Millimeters (Inches)	
		H
1/2	19.1	(0.75)
3/4	19.1	(0.75)
1	22.2	(0.88)



GRUE Universal Conduit Outlet Boxes

Explosionproof, Dust-Ignitionproof

GRUE-100 Series UNILETS™ for 1/2", 3/4" and 1" threaded metal conduit. GRUE-200 Series UNILETS™ for 1-1/4", 1-1/2" and 2" threaded metal conduit.

CEC:

Class I, Division 1 and 2, Groups B, C, D
 Class I, Zone 1 and 2, IIB + H₂ T6
 Class II, Division 1 and 2, Groups E, F, G
 Class III, Enclosure 3

Conduit Size (Inches)	Hub Configuration	Catalog Number	
		Malleable Iron	Aluminum

GRUE-200 Series

Furnished with internally threaded surface cover. Entries are supplied as listed.



1-1/4	C	GRUE-125C	GRUE-125C-A
1-1/2		GRUE-150C	GRUE-150C-A
2		GRUE-200C	GRUE-200C-A
1-1/4	CB	GRUE-125CB	GRUE-125CB-A
1-1/2		GRUE-150CB	GRUE-150CB-A
2		GRUE-200CB	GRUE-200CB-A
1-1/4	E	GRUE-125E	GRUE-125E-A
1-1/2		GRUE-150E	GRUE-150E-A
2		GRUE-200E	GRUE-200E-A
1-1/4	L	GRUE-125L	GRUE-125L-A
1-1/2		GRUE-150L	GRUE-150L-A
2		GRUE-200L	GRUE-200L-A
1-1/4	LB	GRUE-125LB	GRUE-125LB-A
1-1/2		GRUE-150LB	GRUE-150LB-A
2		GRUE-200LB	GRUE-200LB-A
1-1/4	T	GRUE-125T	GRUE-125T-A
1-1/2		GRUE-150T	GRUE-150T-A
2		GRUE-200T	GRUE-200T-A
1-1/4	TB	GRUE-125TB	GRUE-125TB-A
1-1/2		GRUE-150TB	GRUE-150TB-A
2		GRUE-200TB	GRUE-200TB-A
1-1/4	X	GRUE-125X	GRUE-125X-A
1-1/2		GRUE-150X	GRUE-150X-A
2		GRUE-200X	GRUE-200X-A
1-1/4	XB	GRUE-125XB	GRUE-125XB-A
1-1/2		GRUE-150XB	GRUE-150XB-A
2		GRUE-200XB	GRUE-200XB-A

Dimensions in Millimeters (Inches)

